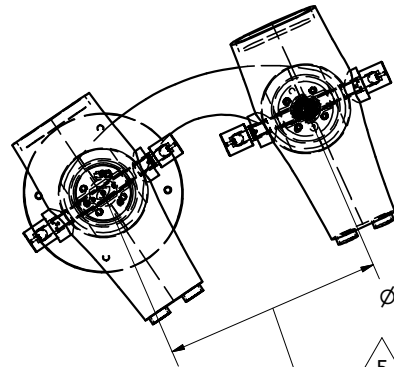


Hi-Spy Viewing Machines

500 Ball Street
Cobourg, Ontario
Canada

Tel. (905) 448-5908
Fax (416) 907-2918
email: info@hispyviewing.com



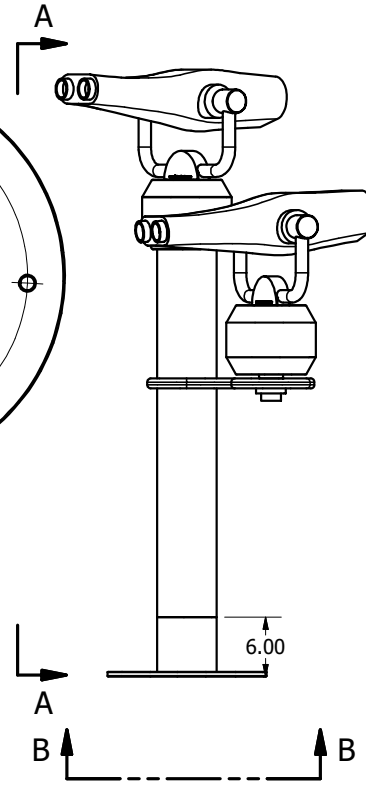
Ø.56 THRU

Ø16.00

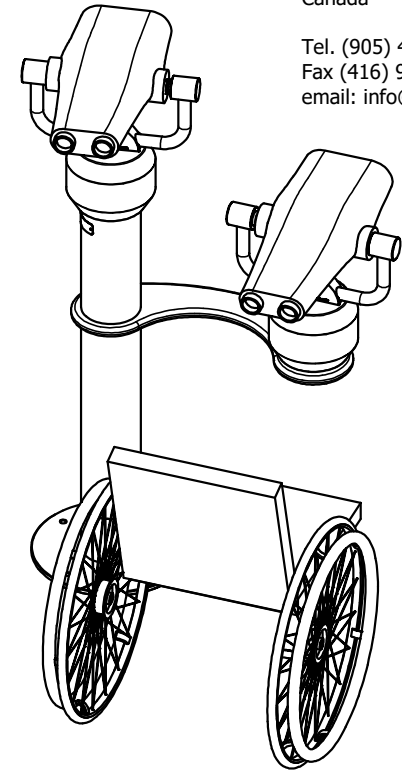
22
Distance between centers of viewing heads

Ø13.00

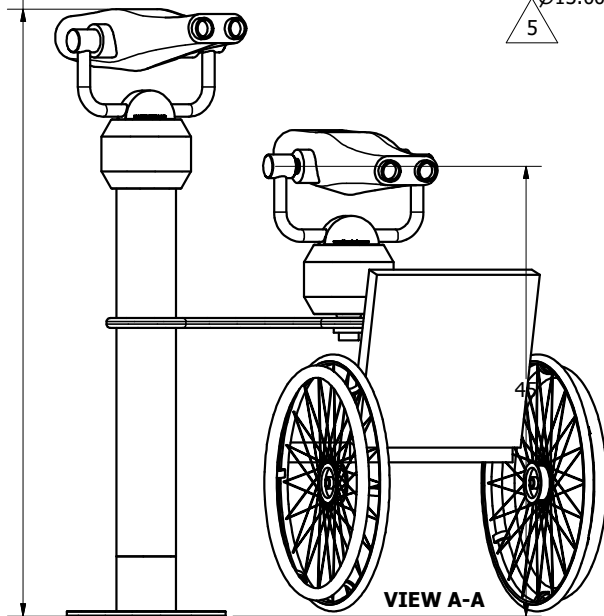
Base View
B-B



6.00



± 62 Overall Height,
(depends on viewer angle)



VIEW A-A

Note: Pinnacle Scopes, Hi-Spy viewing machines reserves the right to change the style and dimensions of devices for economical or product refinement purposes without notice. Every effort is made to reflect the actual dimensions and details actually supplied, but due to the nature of progress, regrettably this is not always possible.

REVISION HISTORY

| ZONE | REV | DESCRIPTION | DATE | APPROVED |
|------|-----|--------------|---------|----------|
| | 5 | Bs Plat Dims | 13/9/21 | |

| | |
|----------------------|---------|
| DRAWN Doug Norton | 11/2/11 |
| CHECKED | |
| QA | |
| MFG | |
| APPROVED | |

Hi-Spy Viewing Machines

| | | |
|-------------------|---------------------|----------|
| TITLE | | |
| Dual Model Viewer | | |
| SIZE B | DWG NO HS-2000-A | REV 4 |
| SCALE | SHEET 1 OF 1 | |