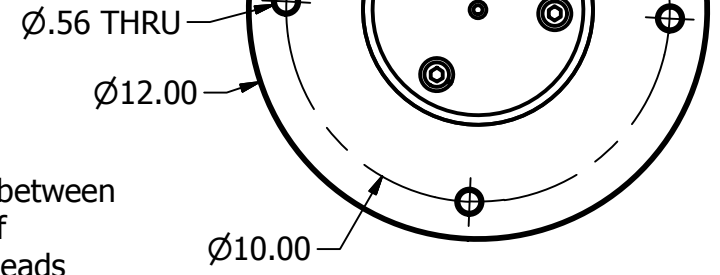
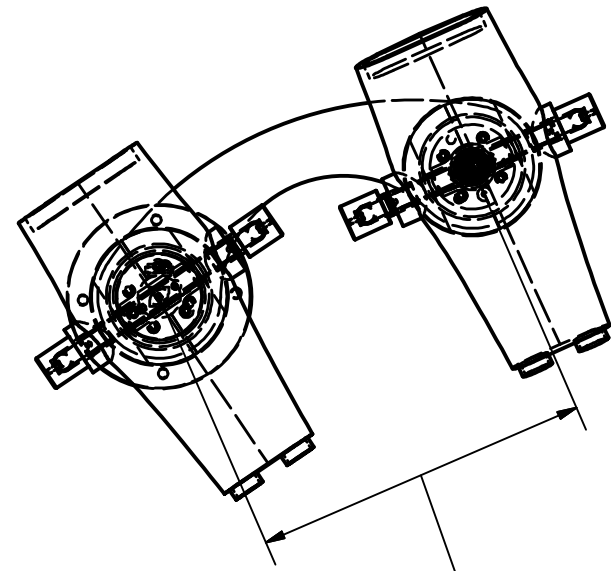


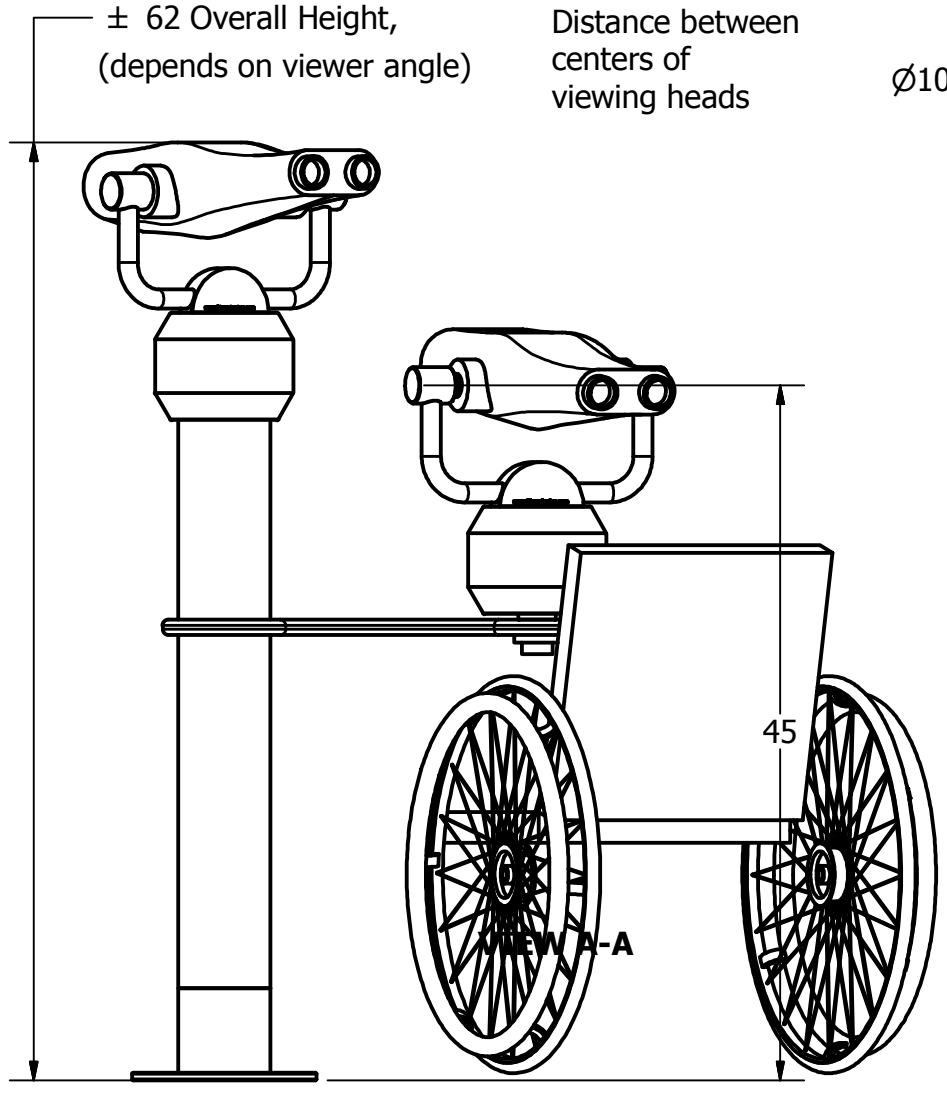
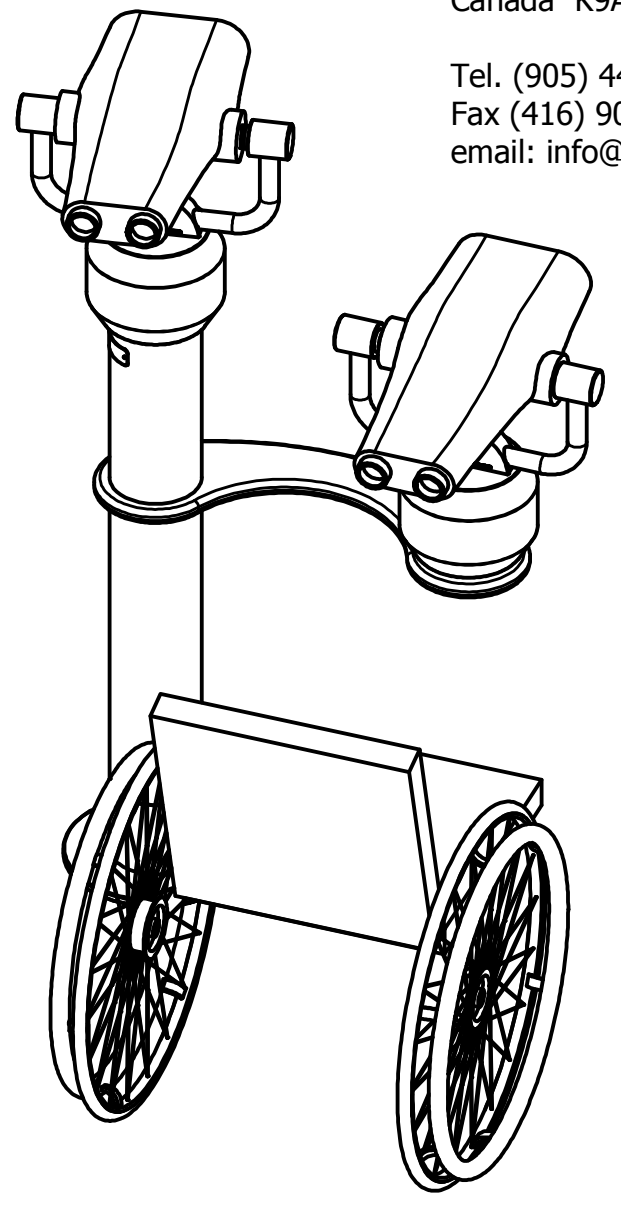
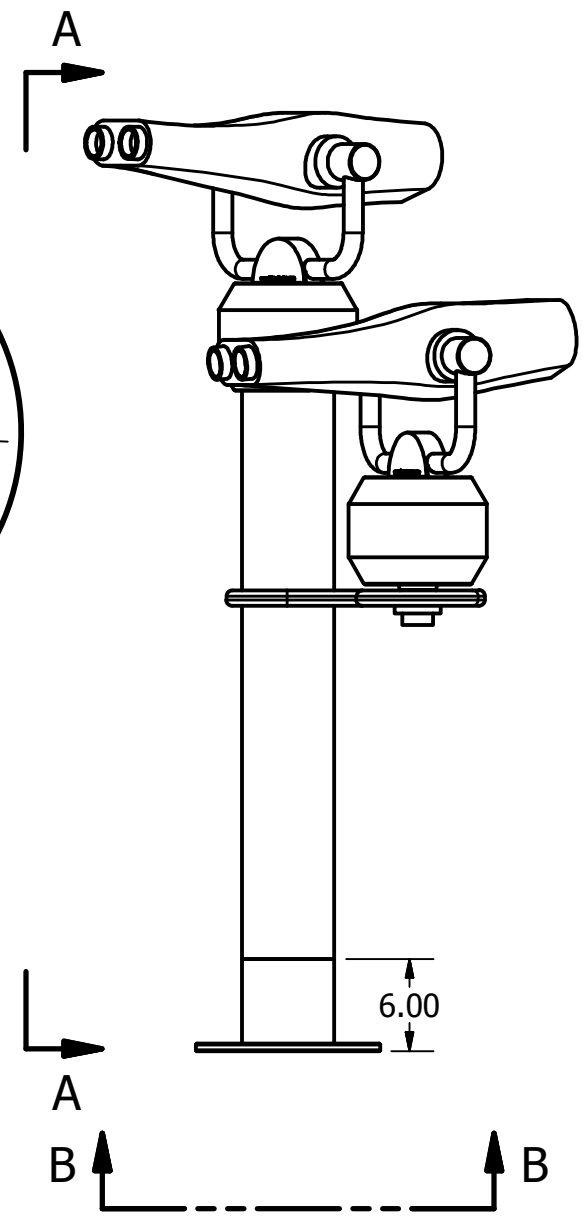
**Hi-Spy Viewing Machines**

1043 Division Street  
 Cobourg, Ontario  
 Canada K9A 5Y5

Tel. (905) 448-5908  
 Fax (416) 907-2918  
 email: info@hispyviewing.com



Base View  
 B-B



± 62 Overall Height,  
 (depends on viewer angle)

22  
 Distance between  
 centers of  
 viewing heads

Note: Pinnacle Scopes, Hi-Spy viewing machines reserves the right to change the style and dimensions of devices for economical or product refinement purposes without notice. Every effort is made to reflect the actual dimensions and details actually supplied, but due to the nature of progress, regrettably this is not always possible.

DRAWN Doug Norton CHECKED QA MFG APPROVED	2/11/2011	<h2>Hi-Spy Viewing Machines</h2>		
		TITLE <h3>Dual Model Viewer</h3>		
		SIZE <b>B</b>	DWG NO <b>HS-2000-A</b>	REV <b>4</b>
		SCALE	SHEET 1 OF 1	